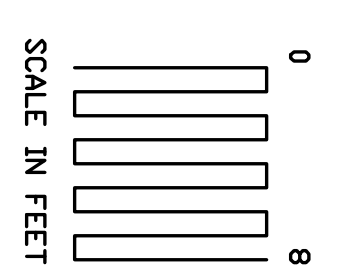
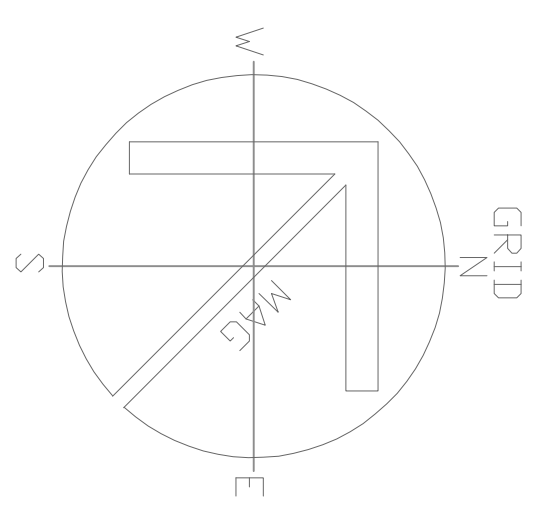
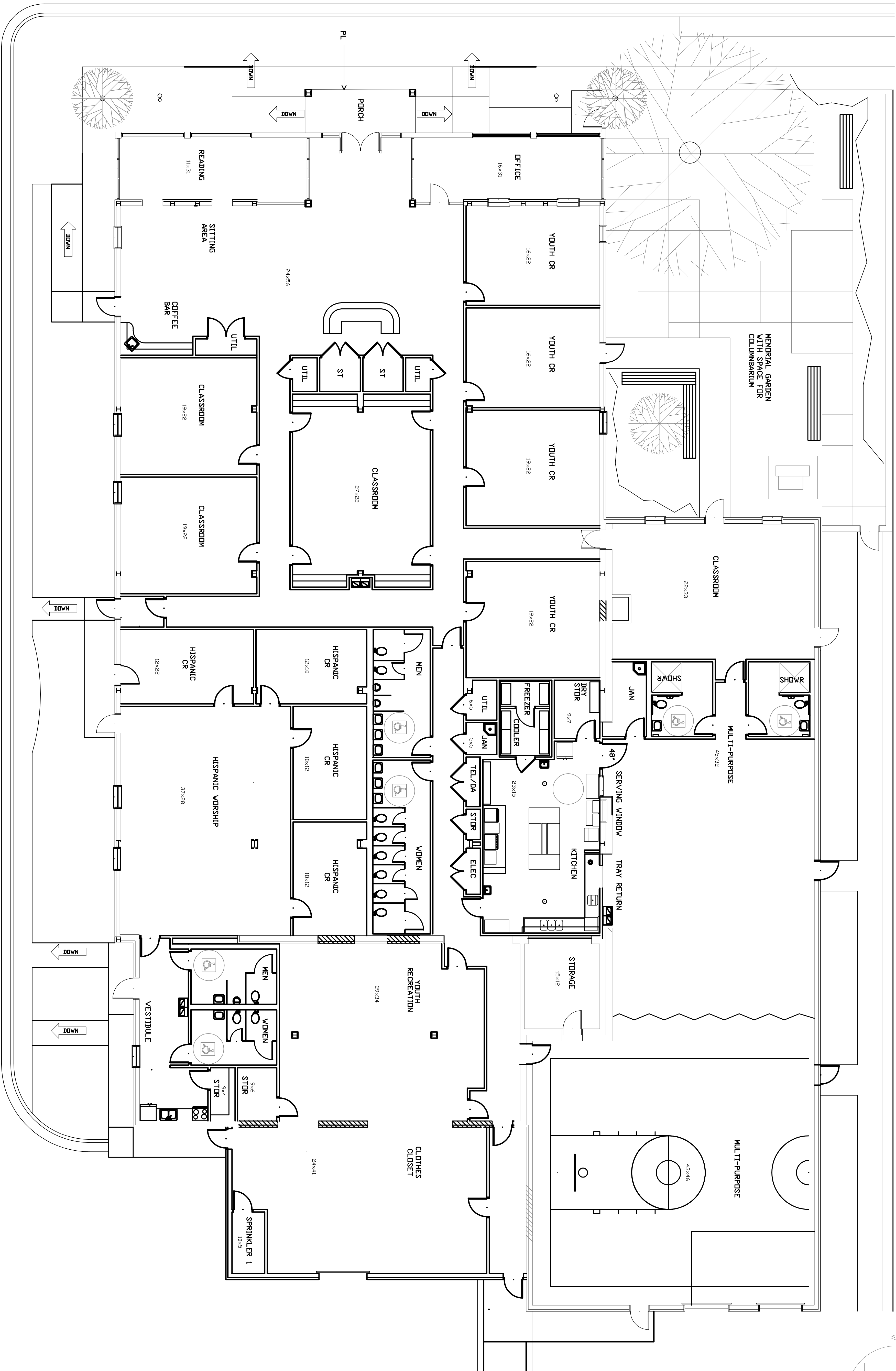


KEY:  
HC RAMP  
DOWN  
NEW UNLD



BUILDING ALTERATIONS  
 SMITHFIELD HERALD BUILDING  
 125 S. 4TH ST, SMITHFIELD, N. C. 27577  
 FOR FIRST BAPTIST CHURCH IN SMITHFIELD

WESLEY M. COBLE ARCHITECT & PLANNER  
 111 BROOKS AVENUE, RALEIGH, N. C. 27607  
 TEL:919-755-1054 FAX:919-821-5574  
 EMAIL:COBLE@IPASS.NET WWW:IPASS.NET/COBLE

PRELIMINARY DRAWING  
 NOT FOR  
 CONSTRUCTION

PROJECT NO: 476  
 DATE: 26 JAN 10  
 REVISIONS:  
 SHEET TITLE:

COPYRIGHT © 2010 BY WESLEY M. COBLE ARCHITECT & PLANNER  
 THESE DRAWINGS AND ACCOMPANYING SPECIFICATIONS ARE INSTRUMENTS OF SERVICE  
 AND AS SUCH ARE AND SHALL REMAIN PROPERTY OF THE ARCHITECT. THEY SHALL NOT  
 BE USED FOR WORK OTHER THAN THAT AUTHORIZED BY ARCHITECT AND UPON COMPLETION  
 OF WORK ALL COPIES EXCEPT OWNERS SHALL BE RETURNED TO THE ARCHITECT.